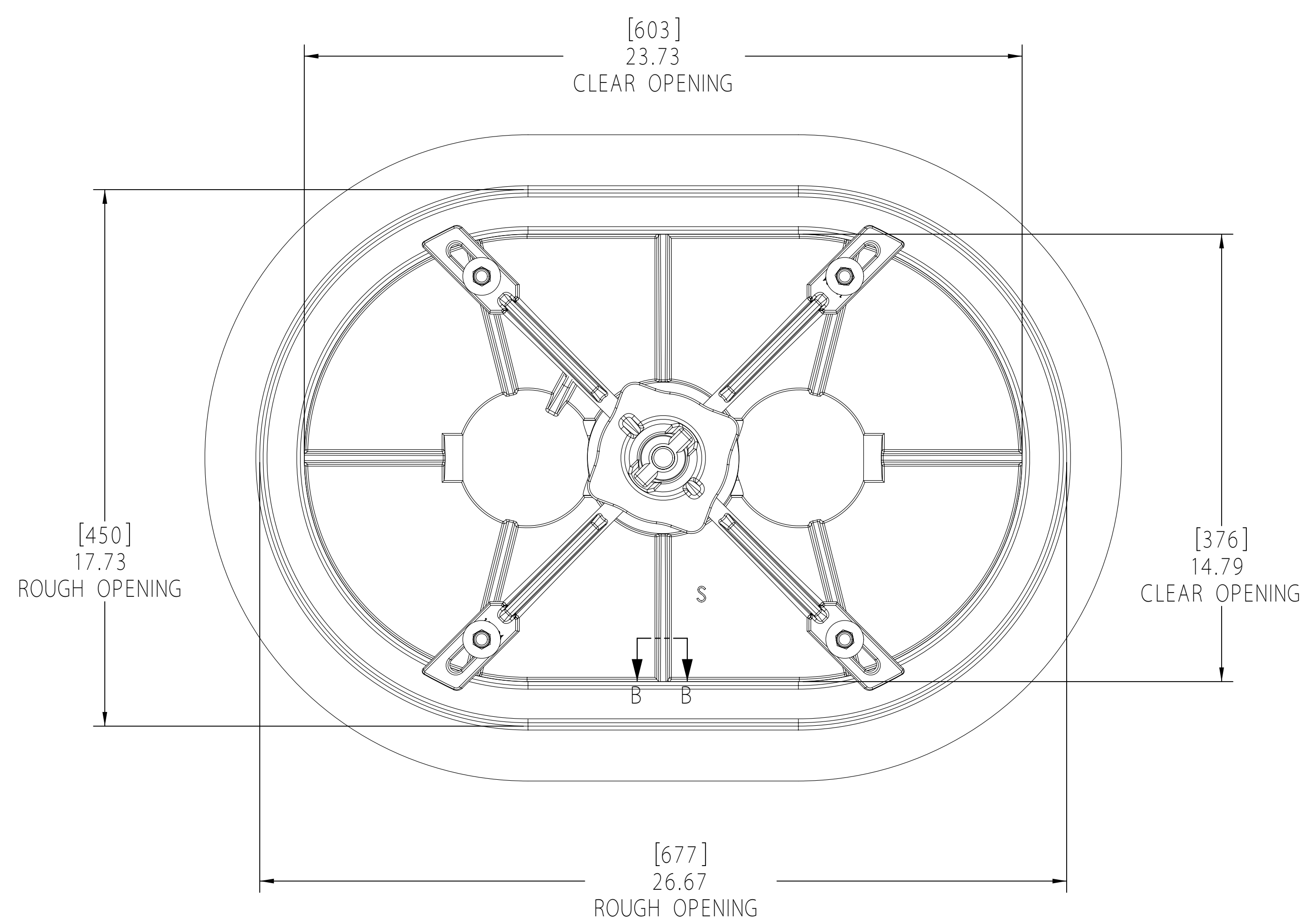
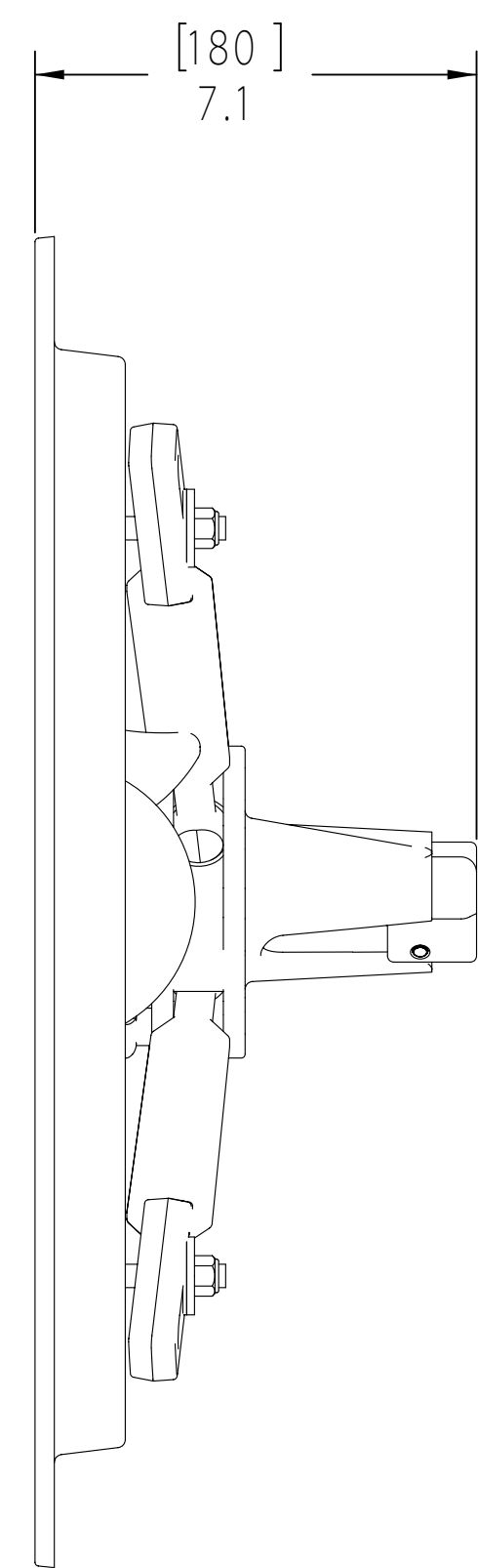
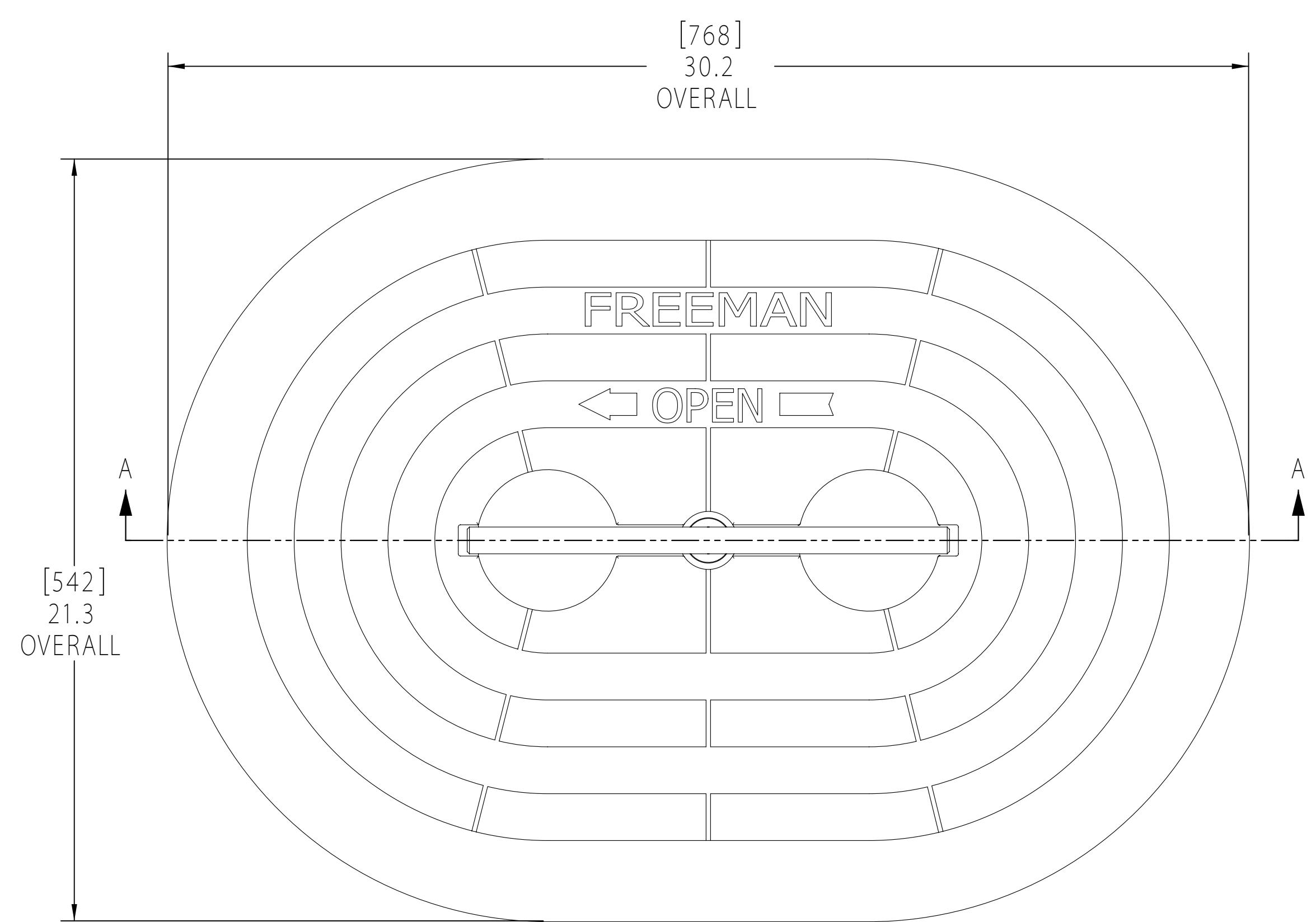


D
C
B
A



10. FOR SPECIFIC INFORMATION CONTACT SALES.
9. COMPLETE ASSEMBLY WEIGHT W/ DECK RING, 34.9LBS/ 15.8K.
8. DOGGING PRESSURE FULLY ADJUSTABLE.
7. HANDLE POSITION TOPSIDE INDICATES WHETHER DOGGING MECHANISM IS IN OPEN OR CLOSED POSITION.
6. ALUMINUM ALLOY MECHANISM SHOWN.
5. FLUSH, WATERTIGHT CONSTRUCTION.
4. INTEGRAL TOPSIDE "T" HANDLE STANDARD, OTHER TOPSIDE ACTUATION AVAILABLE.
3. CAST ALUMINUM ALLOY FLANGE, FLANGE CAN BE DRILLED FOR BOLTED INSTALLATIONS OR WELDED TO ALUMINUM.
2. QUICK-ACTING, MECHANISM ENGAGES OR DISENGAGES IN QUARTER-TURN OF CENTER SPINDLE.
1. 23.7 x 14.8 CLEAR OPENING, ALL DIMENSIONS SHOWN SUBJECT TO CASTING VARIATION AND ARE REFERENCE ONLY.

NOTES: UNLESS OTHERWISE SPECIFIED.

SPECIFICATIONS SUBJECT TO CHANGE WITHOUT NOTICE.		FREEMAN MARINE EQUIPMENT, INC.		28336 HUNTER CREEK ROAD GOLD BEACH, OR 97444 U.S.A. PHONE: 541-247-7078 FAX: 541-247-2114 www.freemanmarine.com	
UNLESS OTHERWISE SPECIFIED DIMENSIONS ARE IN INCHES, TOLERANCES FOR ROUGH AND CLEAR OPENING ±.125 INCH. ALL OTHERS ARE:		CONFIDENTIAL PROPERTY OF FREEMAN MARINE EQUIPMENT INC. UNAUTHORIZED USE, COPYING OR DISTRIBUTION IS STRICTLY PROHIBITED. POSSESSOR OF THIS DOCUMENT AGREES TO THE FOREGOING AND SHALL RETURN THIS DOCUMENT UPON REQUEST. © ALL RIGHTS RESERVED 2004		CLIENT: FREEMAN MARINE	
PROJECTION		DRAWN: MK FURMAN DATE: 22JUL05 CHECKED: DATE: ENGR: DATE: DESIGN ACTIVITY: DATE:		TITLE: HATCH, 2433, OVAL LIFT OUT, COMPR. SEAL, ALUM.	
INITIAL RELEASE 22JUL05 MKF A UPDATE GEN. NOTES & B.O.M. 04AUG11 PPC		X XX .XXX ANGLES ±.1 ±.03 ±.010 ±2*		SIZE CAGE CODE DRAWING NUMBER REV. D 64747 2433-0002 A	
REV. DESCRIPTION: DATE: DRAWN		DO NOT SCALE DRAWING		CONTRACT NO.: SCALE: 1:3 CALC. WT. ACT. WT. SHEET 1 OF 2	