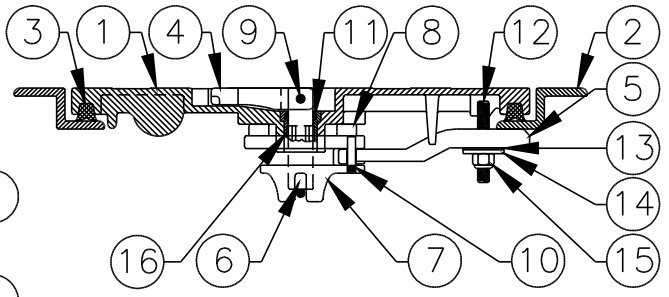
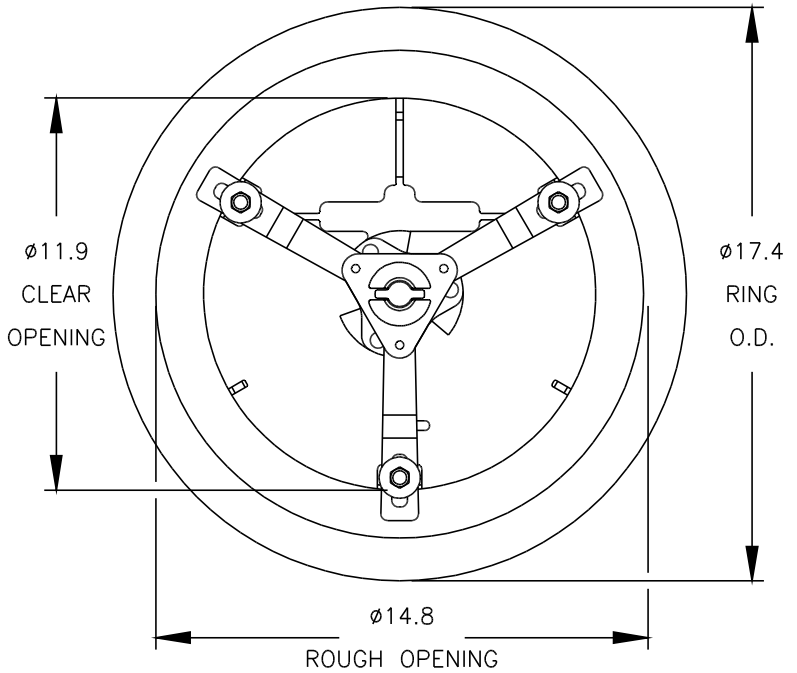


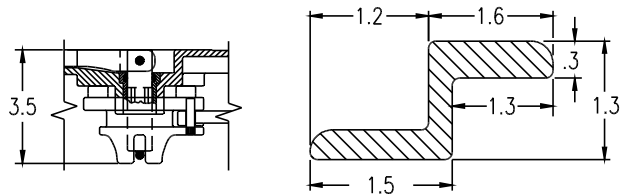
TOP VIEW



SECTION A-A



BOTTOM VIEW



DEPTH DETAIL RING DETAIL

10. FOR SPECIFIC INFORMATION CONTACT SALES.
9. COMPLETE ASSEMBLY WEIGHT W/DECK RING, 13LBS/5.9K.
8. DOGGING PRESSURE FULLY ADJUSTABLE, TIGHTEST SEAL IN THE WORLD.
7. HANDLE POSITION TOPSIDE INDICATES WHETHER DOGGING MECHANISM IS IN OPEN OR CLOSED POSITION.
6. ALUMINUM ALLOY MECHANISM.
5. FLUSH, WATERTIGHT CONSTRUCTION.
4. INTEGRAL TOPSIDE HANDLE.
3. CAST AL. ALY. COAMING, FLANGE CAN BE DRILLED FOR BOLTED INSTALLATIONS OR WELDED TO ALUMINUM.
2. QUICK-ACTING, MECHANISM ENGAGES OR DISENGAGES IN QUARTER-TURN OF CENTER SPINDLE.
1. 11.9"/302mm DIAMETER CLEAR OPENING.

NOTES:

PARTS LIST

| FIND NO. | PART NUMBER | DESCRIPTION            | MATERIAL    |
|----------|-------------|------------------------|-------------|
| 1        |             | HATCH (COVER PLATE)    | AL. ALY.    |
| 2        |             | FRAME (DECK RING)      | AL. ALY.    |
| 3        |             | GASKET                 | NEOPRENE    |
| 4        |             | TOPSIDE HANDLE         | CRES        |
| 5        |             | LOCKING ARM (DOG)      | AL. ALY.    |
| 6        |             | ACTUATOR               | CRES        |
| 7        |             | THREE HOLE HUB         | AL. ALY.    |
| 8        |             | CAM BUTTOM             | DELTRIN     |
| 9        |             | KNURLED PIN (.25X1.50) | CRES        |
| 10       |             | KNURLED PIN (.25X1.25) | CRES        |
| 11       |             | O-RING (TEFLON COATED) | BUNA RUBBER |
| 12       |             | STUD (.375-16)         | CRES        |
| 13       |             | FLAT WASHER            | NYLON       |
| 14       |             | FLAT WASHER            | CRES        |
| 15       |             | LOCKNUT (.375-16)      | CRES/NYLON  |
| 16       |             | FLUTED BUSHING         | ACETAL/CRES |

**FREEMAN**  
MARINE EQUIPMENT INC.

P.O. BOX F-28336 HUNTER CREEK ROAD  
GOLD BEACH, OREGON 97444 U.S.A.  
PHONE: 541-247-7078 FAX: 541-247-2114

TITLE: 12" ROUND ALUMINUM CAST  
HATCH, ALUMINUM DECK RING  
W/INTEGRAL TOPSIDE HANDLE

DWN BY: M.W.F. 05/15/98 10:14 AM DATE: 10DEC96  
CAD FILENAME: 2400\2402\0002-01.DWG

FSCM. NO. 64747 DRAWING NUMBER 2402-0002 REV: -

SCALE: NONE SHEET 1 OF 1

© ALL RIGHTS RESERVED,  
1996 FREEMAN MARINE EQUIPMENT, INC.  
SPECIFICATIONS SUBJECT TO CHANGE WITHOUT NOTICE